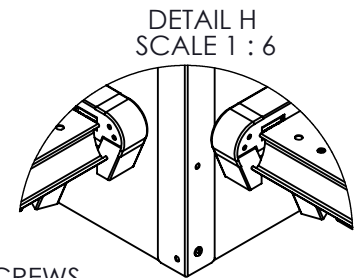
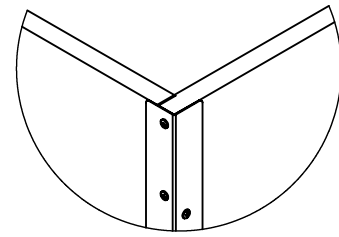
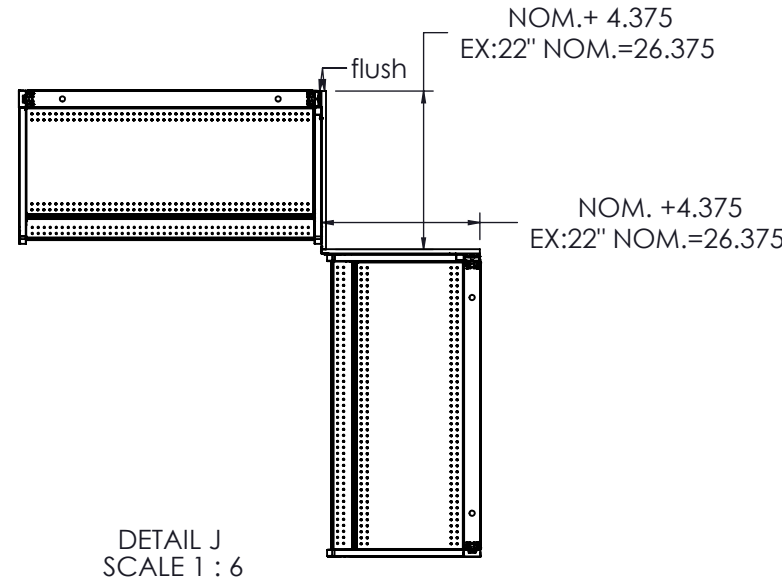


DETAIL K
SCALE 1 : 9



HARDWARE PACK-
INCLUDE (14) # 8 X 1 1/8" FH SCREWS
INCLUDE (16) # 8 X 1/2" PAN HEAD SCREWS

STORFLEX FIXTURE CORPORATION
392 W. PULTENEY STREET, CORNING, NY 14830, PHONE: (607) 962-2137, FAX: (607) 962-7655

REVISIONS			
REV.	DESCRIPTION	DATE	BY

THIS DOCUMENT CONTAINS DATA WHICH IS CONFIDENTIAL AND PROPRIETARY TO STORFLEX FIXTURE CORPORATION. NO DISCLOSURE, REPRODUCTION, OR ANY USE OF ANY PART OF THIS DOCUMENT MAY BE MADE WITHOUT PRIOR WRITTEN PERMISSION OF STORFLEX FIXTURE CORPORATION.

TOLERANCE (U. N. O.):
FRACTION = +/- 1/32
.XX = +/- .020
.XXX = +/- .005
ANG=90 +/- 1DEGREE

DESCRIPTION:			
PART #: BOX CORNER ASSEMBLY	CAT #: BCA	MATERIAL: ~	
DATE CREATED: 2/22/2010	REV: ~	CREATED BY: PPP	INSTALLATION IN