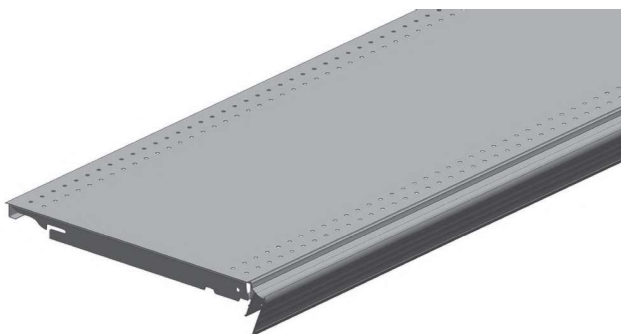


**GONDOLA GUARD™ BASE SYSTEM**

An ingeniously designed aluminum extrusion that seats into the Storflex base shoe. The GONDOLA GUARD™ extrusion provides an uptilt 1.25" molding, an integral receiving area for all insert options plus unequaled base shelf, kickplate and product protection. Since the extrusion strategically seats into Storflex's box type base shoes, impacts are distributed and absorbed by the shelving framework. While GONDOLA GUARD™ provides unmatched protection for Storflex shelving, it also provides unequaled good looks and enhanced decor possibilities.

Letter	Description
A	45° Uptilt 1.25" Tag Molding
B	"Captured" Base Shelf Edge
C	Optional Trims



GONDOLA GUARD™ Extrusion and Shelf



GONDOLA GUARD™

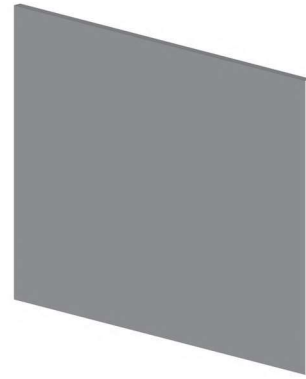
# GONDOLA GUARD™ INSERT TRIM OPTIONS



## GONDOLA GUARD™

The GONDOLA GUARD™ extrusion by itself is an attractive add-on to your Storflex shelving.

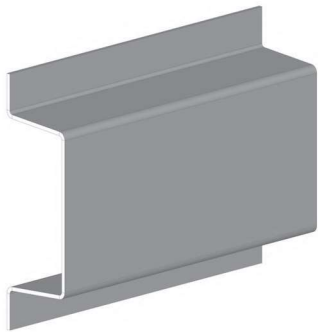
Item #	GGEE
--------	------



## FORMICA INSERT

A variety of decorative **Formica Inserts** can be added to the GONDOLA GUARD™. While they do not provide impact resistance, **Formica Inserts** certainly provide unlimited decor possibilities.

Item #	FCSI
--------	------



## STAINLESS STEEL INSERT

While offering superior protection and clean looks, the **Stainless Steel Insert** also provides the sanitary, good looks of high quality stainless steel.

Item #	GGSX
--------	------

